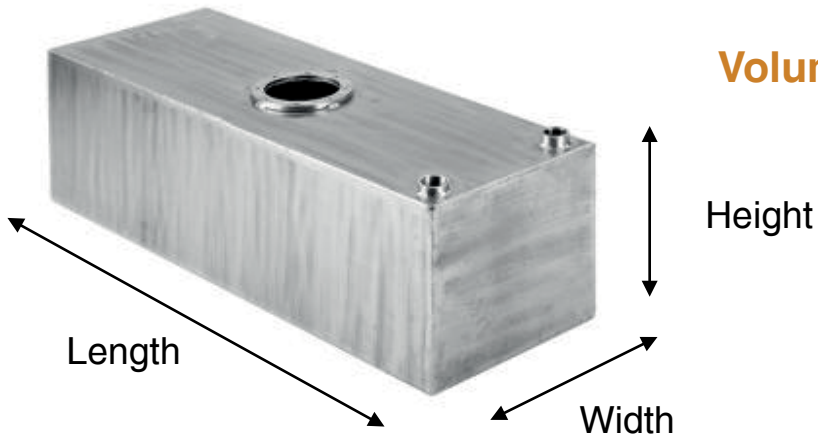


Volume of a rectangular tank.



$$\text{Volume} = \text{Length} \times \text{Width} \times \text{Height}$$

Measure in centimetres

$$\text{Length} = 125 \text{ cm}$$

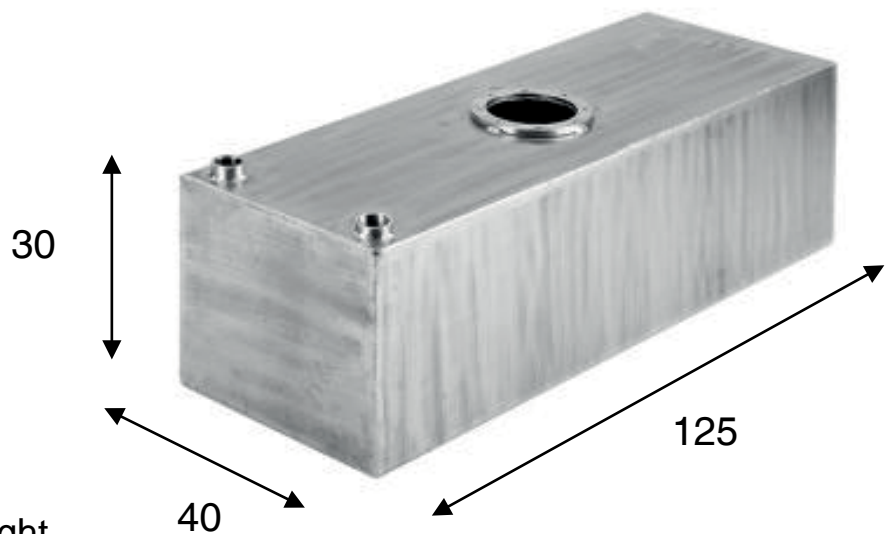
$$\text{Width} = 40 \text{ cm}$$

$$\text{Height} = 30 \text{ cm}$$

$$\text{Volume} = \text{Length} \times \text{Width} \times \text{Height}$$

$$\text{Volume} = 125 \times 40 \times 30$$

$$\text{Volume} = 150\,000 \text{ cm}^3$$



Convert cm^3 to litres.

$$\text{cm}^3 \div 1000 = \text{volume in litres}$$

$$150\,000 \div 1000 = 150 \text{ litres}$$